

BRIDGE | NDI[®] 3G

Quick Start Guide

CONTAINS PASSWORDS – DO NOT DISCARD



Congratulations!

AJA BRIDGE NDI 3G is a 1RU turnkey gateway offering high density conversion from 3G-SDI to NDI and NDI to 3G-SDI, for both HD and 4K/UltraHD. For detailed installation and configuration instructions visit the AJA website for the latest version of the BRIDGE NDI 3G manual: <https://www.aja.com/products/bridge-ndi-3g#support>

- Under Manuals, the BRIDGE NDI 3G User Guide can be viewed and/or downloaded.

What's in the Box?

BRIDGE NDI 3G Quick Start Guide, USB Sound Card, BRIDGE NDI including rack rails, pre-installed rack-ears, two power cables for redundant power, and eighteen DIN 1.0/2.3 to BNC adapter cables.

Setup:

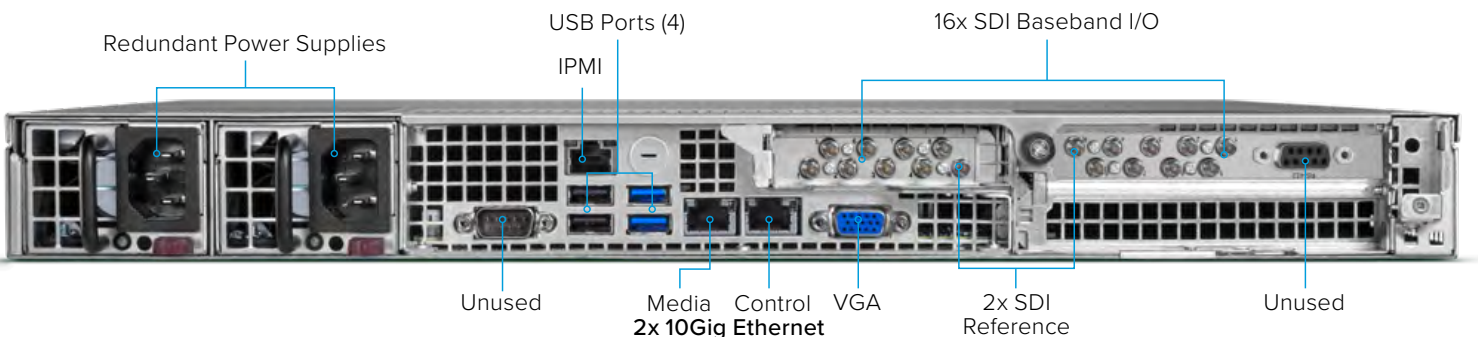
Once BRIDGE NDI 3G has been unpacked and safely racked-mounted, cables and peripherals can be added; 10GigE cables for network connectivity, SDI cables for baseband audio/video I/O and dual power cables for redundant power supplies.

Following power-up, initial configuration of BRIDGE NDI can be achieved via either method below, both of which will require the username and unique password information found on the next page:

- Customer-supplied USB keyboard, USB mouse, VGA monitor and an AJA supplied USB Sound Card.
- Browser application on a separate host system that is on the same network as BRIDGE NDI. In this case, since BRIDGE NDI ships with DHCP enabled, any Mac or PC system on the same network will see BRIDGE NDI via Simple Discovery. Search Network for the BRIDGE System name which by default will be similar to "BRIDGE-NDI-54321" (where the last five digits match the last five digits of the system's AJA SN on the rear of the BRIDGE chassis). Double clicking on this item presented will open a browser for the BRIDGE NDI user interface.

Cabling Guide:

Viewed from the rear, 10GigE Port 01 is on the left, and 10GigE Port 02 on the right. All sixteen SDI spigots can be used simultaneously for HD I/O with 3G-SDI. For 4K/UltraHD, SDI connections can be used as follows: Channels 1-4, Channels 5-8, Channels 9-12, Channels 13-16. There are also two video reference connectors, corresponding to Channels 1-8 and Channels 9-16.



Power Up & Log In:

Once the system is cabled, power-on BRIDGE NDI (front right button). Whether accessing the system locally via keyboard, mouse and monitor, or, via web browser on a separate host, after booting the system you'll arrive at the splash screen.

Use the keystroke "space bar" to bring up the login dialog, and then enter the Admin Username: "admin" and Admin Password: (see sticker below) to gain access to the Bridge NDI interface.

If this is the first time the system has been accessed after delivery (or following a factory reset) a license agreement will be presented for acceptance (one time only).



Place Sticker Here

Username and Password Notes:

Do not discard this document. The above information is unique to this BRIDGE NDI system and will be required either during first power up, or else following a factory reset. All items are case sensitive.

Admin Username: "admin" is used for local login, browser login and REST API.

Admin Password: e.g. "BNDI3G54321" (can be changed after first login).

IPMI Username: "ADMIN" is used for IPMI access.

IPMI Password: e.g. "BNDI3gABCDEFGH" (cannot be changed).

See BRIDGE NDI 3G manual for more detail.

Updates:

To check for updates for AJA BRIDGE software, go to the AJA website and download the latest package for BRIDGE NDI 3G: <https://www.aja.com/support/downloads>

Unzip the download and then stage the unzipped package either locally on BRIDGE NDI with a USB drive, or else on the remote host system accessing the BRIDGE NDI 3G interface. Then, from within BRIDGE NDI go to System Settings > Software / Firmware. Choose Browse. Navigate to the unzipped Software update and select. Choose Submit.

Contacting AJA Technical Support:

Email: support@aja.com

Phone: +1 (530) 271-3190

Fax: +1 (530) 274-9442

Web: <https://www.aja.com>

Shipping: 180 Litton Dr., Grass Valley, CA 95945 USA