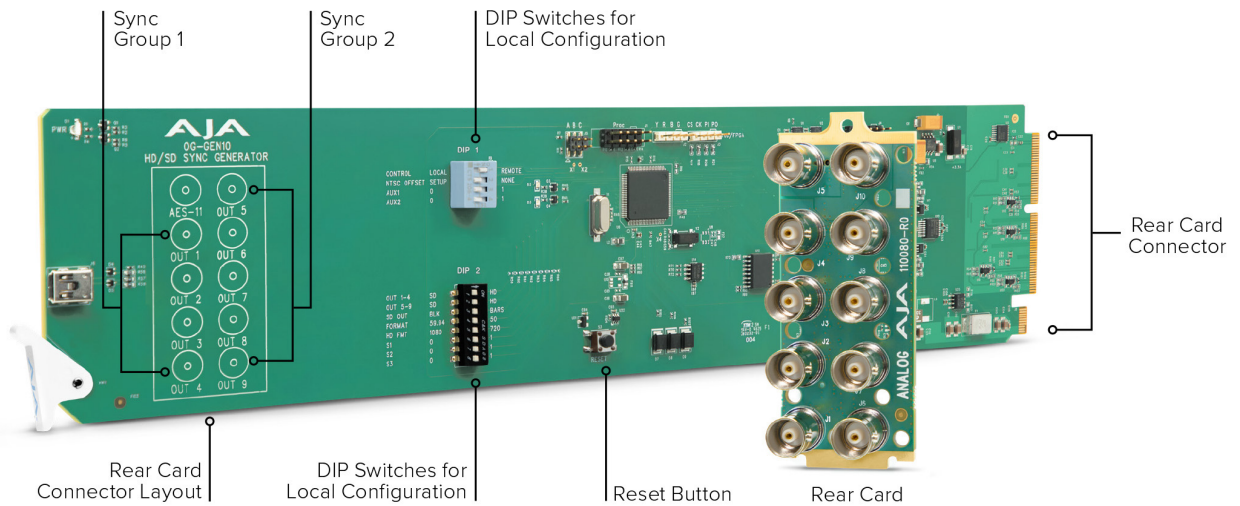


OG-GEN10

The OG-GEN10 is a cost effective and flexible SD/HD/AES-11 sync generator. The OG-GEN10 features 10 total outputs comprised of 2 groups of independently controlled SD/HD sync outputs and 1 AES-11 output. The SD outputs can be switched between Color Black or Color Bars. HD tri-level sync can be switched between 19 different HD formats including all that are in use today. The AES-11 output can be switched between Silence and Tone. All outputs are in sync with each other and are sourced from an accurate master time base.

\$795 US MSRP

<https://www.aja.com/products/og-gen10>



Formats

• 1080i 50, 59.94, 60

- 1080PsF 23.98, 24, 25, 29.97, 30
- 1080p 23.98, 24, 25, 29.97, 30
- 720p 23.98, 24, 25, 29.97, 30, 50, 59.94, 60

- 625i, 525i

HD Sync

- Tri-level

SD Sync

- Color Black, 75% Color Bars

AES

- AES-11, 48 kHz, silent or 1 KHz tone (-20 or -18 dBFS)

Output

- 9x BNC, Analog SD/HD Sync
- 1x BNC, AES-11

Accuracy

- 3 ppm

User Interface

- openGear DashBoard network control software via Windows, macOS, or Linux
- Local/Remote Control
- External dipswitch

Size (w x d x h)

- openGear standard form factor, front slot and rear card
- Two slots required for each card

Weight

- 0.5 lb (0.3 kg)

Power

- openGear frame compatible, 6.75 watts max per card

Environment

- Safe Operating Temperature: 0 to 40 degrees C (32 to 104 degrees F)
- Safe Storage Temperature (Power OFF): -40 to 60 degrees C (-40 to 140 degrees F)
- Operating Relative Humidity: 10-90% noncondensing
- Operating Altitude: <3,000 meters (<10,000 feet)