

# FS-HDR

## Quick Start Guide



## Overview

---

FS-HDR, a 1RU, rack-mount, universal converter/frame synchronizer, is designed specifically to meet the HDR (High Dynamic Range) and WCG (Wide Color Gamut) needs of broadcast, OTT, post and live event AV environments, where real time, low-latency processing and color fidelity is required for 4K/UltraHD and 2K/HD workflows. Developed in partnership with Colorfront, the FS-HDR's HDR/WCG functionality is powered by Colorfront Engine™ proprietary video processing algorithms. FS-HDR also serves as a full, 1-channel up, down, cross-converter for 4K/UltraHD/2K/HD conversion and frame sync needs and in 4-Channel mode, offers 4 independent channels of 2K/HD conversion.

## Quick Start Guide Objectives

---

The FS-HDR can be extremely simple to use, because of its ability to detect incoming signal formats and automatically apply the correct video processing for the selected output format. However, the FS-HDR is also extremely powerful and can be flexibly configured to perform a wide variety of tasks.

This Quick Start Guide is designed to help you get your FS-HDR up and running for the first time, and confirm it is operating properly. It also provides step-by-step instructions that demonstrate a few FS-HDR signal processing examples.

### Stand Alone Tests

---

- ["First Power Up" on page 3](#)
- ["Internal Test Signals" on page 4](#)

### Computer Setup

---

- ["FS-HDR Network Setup" on page 5](#)

### Processing Examples

---

- ["HD Video Camera to UltraHD HDR Live Production" on page 9](#)
- ["4K HDR to HD HDR Down and Cross-Conversion" on page 10](#)
- ["Multiple Legacy Device SDR To HDR Live Conversion" on page 12](#)
- ["Multiple Simultaneous HDR and SDR Distribution" on page 14](#)

For additional information, please see the *FS-HDR Installation and Operation Guide* available on the AJA website.

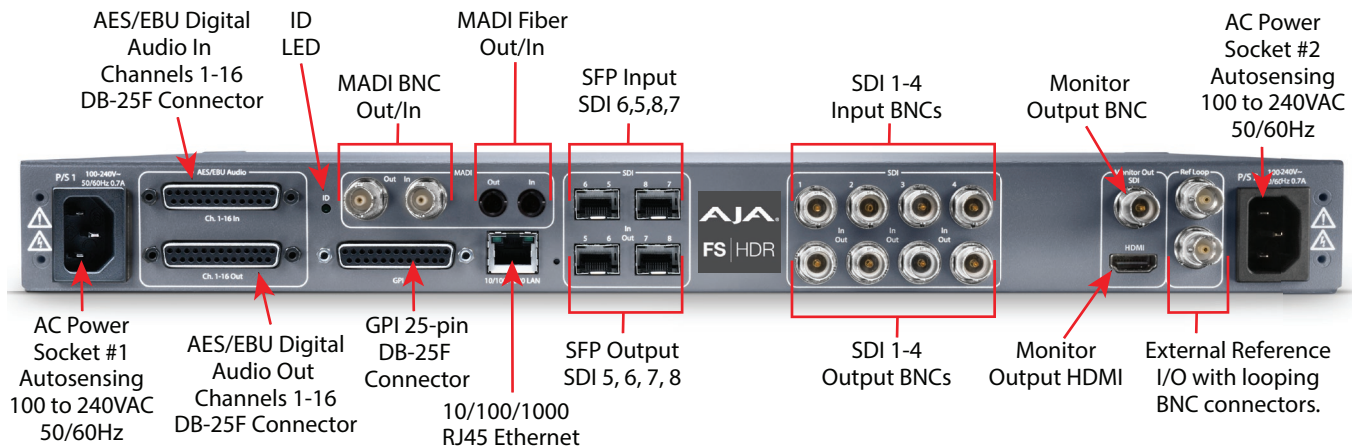
# Installation Summary

1. Unpack the shipping box, removing the FS-HDR and two power cords.
2. Install any physical options, such as SFP I/O modules.

**NOTE:** The "[Stand Alone Tests](#)" on page 3 can be performed with the FS-HDR sitting on a bench to test system operation before physically installing the unit.

3. Mount the physical chassis: front rack, rear rack, or deskmount—1 RU x 17.5 inches (44.45 cm) x 16 inches (40.65 cm). Do not block air flow through the side vents.
4. Make signal I/O connections to the FS-HDR back panel as shown in [Figure 1](#).

Figure 1. FS-HDR Rear Panel



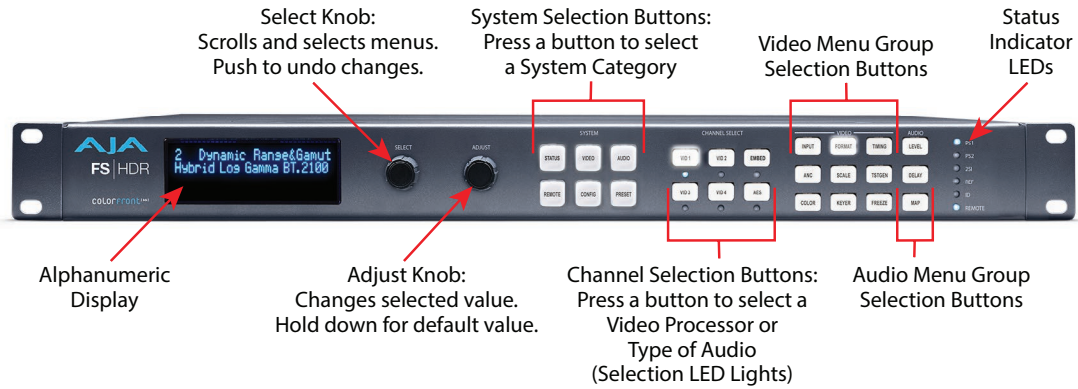
5. Connect one or two power cords to the FS-HDR and mains AC (100-240 VAC, 50/60 Hz, 55 Watts). For redundancy, use both cords and connect them to separate branch circuits. The FS-HDR power supply is autosensing and adjusts to the available power.
6. Connect your computer to the FS-HDR using a CAT Ethernet cable to the FS-HDR RJ45 10/100/1000 Ethernet LAN connector. You can connect directly or via a network device such as a switch, hub, bridge, etc. The FS-HDR automatically senses and adjusts to a straight-through or crossover cable.

**NOTE:** See "[FS-HDR Network Setup](#)" on page 5 for more detailed instructions.

## FS-HDR Control

The FS-HDR front panel buttons and knobs are used with menus in the display, allowing you to fully configure the system. Front panel LEDs report important system statuses. The FS-HDR also has an internal web server that allows remote monitoring and control of parameter setting via an Ethernet 10/100/1000 network-attached computer running a web-browser. Firmware updates are also performed from the web browser.

Figure 2. FS-HDR Front Panel



## Stand Alone Tests

The stand alone tests can be performed without a computer, using the FS-HDR front panel controls and rear connections. The following procedures assume the FS-HDR is at factory defaults (taken from a newly opened box). If not set to defaults, the FS-HDR may behave differently.

*NOTE: FS-HDR units are configured at the factory to operate in Four Channel Mode.*

### First Power Up

The following workflow powers up a default FS-HDR and demonstrates some example alarms.

#### Setup

- Ensure the FS-HDR is completely disconnected (all video, audio, network, and power connector ports are empty).

#### Procedure

1. Connect both FS-HDR power cords to mains AC and allow time for the unit to boot up. Observe the front panel LEDs.
  - The REF LED will light red, indicating an alarm condition. By default the FS-HDR is configured to operate genlocked to an external reference signal.
2. Press the front panel *STATUS* button, then turn the *SELECT* knob to view various Status menus.
  - The Status menu for Video Processor 1 will report No Input for IN1, the port is disconnected), and the *GEN* (Genlock) parameter will report *Ref* (configured for external reference) but will also report *No Input*.

Video Format Status screen			Video Format Alarm Status screen		
IN1	SDI 1	No Input	IN1	SDI 1	OK
BKGD	Black	1080i59	BKGD	Black	OK
GEN	Ref	No Input	GEN	Ref	No Ref
OUT1		1080i59	Rate		59/29/23

3. Connect a 1080i59.94 HD tri-level sync reference signal to one of the FS-HDR Ref Loop BNCs, and connect a 75 ohm terminator to the other Ref BNC.
  - The REF LED will light blue, indicating the FS-HDR is genlocked to an external reference signal.

- The Status menu *GEN* parameters will report *Ref* and indicate the format of the incoming reference signal or *OK*.
- However, because the FS-HDR is still not receiving a compatible video input, No Input, will be reported for IN1.

Video Format Status screen			Video Format Alarm Status screen		
IN1	SDI 1	No Input	IN1	SDI 1	OK
BKGD	Black	1080i59	BKGD	Black	OK
GEN	Ref	1080i59	GEN	Ref	OK
OUT1		1080i59	Rate		59/29/23

4. Connect a 1080i59.94 SDI video source to the SDI 1 input BNC.
  - The front panel will report 1080i59 and an OK status for SDI 1. This indicates no alarm condition exists.

Video Format Status screen			Video Format Alarm Status screen		
IN1	SDI 1	1080i59	IN1	SDI 1	OK
BKGD	Black	1080i59	BKGD	Black	OK
GEN	Ref	1080i59	GEN	Ref	OK
OUT1		1080i59	OUT1		1080i59

5. Disconnect one of the power cords, leaving the other attached.
  - The front panel PWR LED will light red for the power supply with the removed cord.
  - The PS status will report PS1 (or 2) OFF
6. Reconnect the power cable. The PWR LED for that power supply will light blue and the power supply status will report OK.

This workflow confirms the FS-HDR powers up successfully and reports reference and power supply alarms.

*NOTE: FS-HDR Reference, Power Supply, and Video Format alarms can be disabled, if desired. This will prevent the LEDs from going red, but will not affect front panel status displays.*

## Internal Test Signals

This workflow generates bars and tone and routes them to an FS-HDR video and audio output. This example uses the SDI 1 and AES output connectors, an SDI video monitor, and an AES audio monitor.

*NOTE: In the following procedures, where the terms select and adjust are used, turn the front panel SELECT and ADJUST knobs.*

### Setup

- Connect the FS-HDR SDI 1 output BNC connector to an SDI video display with a BNC cable.
- Connect the FS-HDR AES/EBU output DB25 connector to an AES audio monitor using a standard TASCAM pinout cable (customer supplied). Separate DB25 connectors carry all 8 AES digital audio pairs (16 audio signals), one connector for input and one for output. Turn the output gain of the audio monitor to a low level.

### Procedure

1. Press the VID1 Channel Select button.
2. Press the *FORMAT* Video button
  - Select 1 Output Format and adjust to a signal compatible with your SDI monitor (for example, 1080i59.95).

3. Press the *TSTGEN* Video button.
  - Select 1 Test Pattern Gen and adjust to On.
  - Select 2 Test Pattern and adjust to 75% Bars.
4. Press the AES Channel Select button.
5. Press the *MAP* Audio button.
  - Select 1.0 AES Out and adjust to Sig Gen 400KHz.

You should now be able to see the test signal on the SDI Monitor display, and hear the audio on the AES monitor.

This workflow confirms the FS-HDR generates and outputs video and audio.

## FS-HDR Network Setup

---

The following instructions summarize ways to configure the FS-HDR to communicate with a computer directly or over a network.

### Networking Using DHCP or Default Static IP

---

The FS-HDR factory default configuration automatically looks for a DHCP server to issue an IP address. If your network includes a DHCP server, plug the FS-HDR into the network and connect with the unit as follows:

1. Press the CONFIG button.
2. Turn the SELECT knob to navigate to the Status menu that has the name of the FS-HDR at the top (default is "aja-FS-HDR"). Note the DHCP-supplied IP address shown.
3. With your laptop or desktop computer connected to the same LAN as the FS-HDR and DHCP enabled, type the IP address you noted on the FS-HDR's display into the browser address field and press Enter. You should now see the FS-HDR's browser Status screen.

If the FS-HDR cannot get an address from the network DHCP server, the FS-HDR will automatically use a preset factory static IP address of 192.168.0.2. You can access the FS-HDR using the default static address as follows:

1. Set your computer's IP address to whatever address you prefer in the 192.168.0 (class C) network.
2. Set the computer's Subnet mask to 255.255.255.0 (most PCs default to the proper netmask when the address is set).
3. Set the gateway address, if used, to match the FS-HDR default: 192.168.0.1. Alternatively, change the FS-HDR gateway address to match your gateway:
  - A. Press CONFIG, turn SELECT to 3.4 Default Gateway, push and then turn ADJUST to change the first group of digits.
  - B. Turn SELECT to advance to the next set of numbers, and turn ADJUST to set these numbers.
  - C. Continue using SELECT and ADJUST to set the full address.
  - D. When finished, push ADJUST momentarily to save the address.
4. Run a browser on the computer and type "192.168.0.2" (the factory static IP address). You should now see the FS-HDR's browser status screen.

# Networking the FS-HDR Using Your Own Static IP

If you don't want to use DHCP or the default static IP address, you can set your own static IP address:

1. Select the CONFIG button and use the SELECT knob to navigate to parameter 3.1 IP CONFIG. Use the ADJUST knob to select Static.
2. Turn SELECT to navigate to parameter 3.2 IP ADDRESS. The display shows the default static IP address: 192.168.0.2.
3. Change the IP address as follows.
  - A. Push the ADJUST knob momentarily so that the first octet (set of numbers) blinks, and then turn ADJUST to change the numbers.
  - B. Turn SELECT to advance to the next set of numbers, and turn ADJUST to set these numbers.
  - C. Continue using SELECT and ADJUST to set the full address.
  - D. When finished, push ADJUST momentarily to save the address.
4. Turn SELECT to advance to 3.3 Subnet Mask. Use the SELECT and ADJUST knobs as in the previous step to set the desired subnet mask.
5. Turn SELECT to advance to 3.4 Default Gateway. Use the SELECT and ADJUST knobs as in the previous step to set the desired gateway address.
6. Run a browser on the computer and type in the IP address you set for the FS-HDR. You should now see the FS-HDR's Status screen.

## Web Browser Menu Summary

Figure 3 summarizes web browser menu operation. The settings generally correspond to the front panel display parameters, providing you two methods of controlling the FS-HDR. To see the equivalent front panel display parameter number, hover the cursor over a setting.

Figure 3. FS-HDR Web Interface, Main Status Screen, Four Ch Mode

Menu of System Screens: Click a screen's name to display that screen.

Menu of Channel Screens: Click a screen's name to display that screen.

Collapse/Expand Button

Alarms

Status and Menu Display Area

AJA Systems on the Network

System Info

Vid 1		Vid 2	
Channel Name	9CharName	Channel Name	.
INPUT	SDI1 1080p5994	INPUT	SDI2 1080p5994
OUTPUT	Follow INPUT 1080p5994	OUTPUT	Follow INPUT 1080p5994
Transform	Colorfront Engine-L	Transform	Colorfront Engine-L
INPUT Dynamic Range & Gamut Live	SDR BT.709 100 Nits	INPUT Dynamic Range & Gamut Live	SDR BT.709 100 Nits
OUTPUT Dynamic Range & Gamut Live	SDR BT.709 100 Nits	OUTPUT Dynamic Range & Gamut Live	SDR BT.709 100 Nits
Colorfront Engine Live	Default	Colorfront Engine Live	Default
Caption Translator	Off	Caption Translator	Off
Proc Amp	Off	Proc Amp	Off
UFC Custom	Off	UFC Custom	Off
Background	Black	Background	Black

Vid 3		Vid 4	
Channel Name	.	Channel Name	.
INPUT	SDI3 1080p5994	INPUT	SDI4 1080p5994
OUTPUT	Follow INPUT 1080p5994	OUTPUT	Follow INPUT 1080p5994
Transform	Colorfront Engine-L	Transform	Colorfront Engine-L
INPUT Dynamic Range & Gamut Live	SDR BT.709 100 Nits	INPUT Dynamic Range & Gamut Live	SDR BT.709 100 Nits
OUTPUT Dynamic Range & Gamut Live	SDR BT.709 100 Nits	OUTPUT Dynamic Range & Gamut Live	SDR BT.709 100 Nits
Colorfront Engine Live	Default	Colorfront Engine Live	Default
Caption Translator	Off	Caption Translator	Off
Proc Amp	Off	Proc Amp	Off
UFC Custom	Off	UFC Custom	Off
Background	Black	Background	Black

Genlock		Monitor	
Genlock Source	Reference 1080p5994	Monitor Out	Vid1 Output 1080p5994

---

## Drop Down Parameter Operation

---

Most parameters available on the browser are selected from a drop-down list. The currently active parameter is displayed. Click on the down arrow symbol next to the parameter to display the list and select an alternative value. The FS-HDR will immediately operate with the new setting.

---

## Slider Operation

---

Some screens contain slider controls for setting values. To set a value, you can click on a slider to select it and then use the mouse to drag the slider to the position you desire. For fine tuning, while the slider is selected (highlighted by a blue border), use the keyboard left and right arrow keys to change the value one unit at a time. Or you can enter the value directly by clicking on the number displayed above the slider, type in your number then hit Enter to have it take effect. After setting a slider's position, click on the page's background area (blue highlight turns off) to ensure the change is confirmed and saved.

---

## Sub-Menus

---

Some parameters, when activated, open sub-menus. The sub-menus are a lighter gray color and have a collapse/expand button on the parent selection. This lets you collapse the sub-menus for easier system configuration. The collapsed setting only stays in effect until the user reconnects or refreshes the browser.

---

# FS-HDR Processing Examples

---

In the following procedures, your exact actions depend on which FS-HDR interface you are using. Where the terms *MENU NAME*, *select* and *adjust* are used:

- On the front panel interface, press the indicated Menu Group Selection button and then turn the SELECT and ADJUST knobs to choose the parameter and change the setting. The Front Panel menu numbers are included in the procedures.
- On the web browser interface, use your mouse to select the name of the Menu Screen and then choose the parameter and setting using the drop down list or slider. Menu numbers are not present on the FS-HDR web pages.

---

## About FS-HDR Operating Modes

---

The FS-HDR has two operating modes.

- Single Channel Mode (4K/UltraHD) has one video processing channel capable of 4K/UltraHD video, and supports up and down-conversion between 4K/UltraHD and 2K/HD as well as SD. Single Channel Mode also has a special feature when receiving and outputting 4K or UltraHD, called Enhanced Single Channel Mode. This mode is entered automatically if the output format is set to 4K or UltraHD, and a 4K or Ultra HD input signal is detected. When the FS-HDR is in Enhanced Single Channel Mode it can output both 4K/UltraHD and HD/SD video simultaneously, using the SDI Monitor Output.
- 4 Channel Mode (HD/SD) has four video processing channels capable of HD video, and each channel supports independent up and down-conversion between HD and SD video.

*NOTE: A reboot is required to change to the other FS-HDR operating mode.*

Both operating modes support various types of High Dynamic Range (HDR) and Wide Color Gamut (WCG) video, and can perform conversions between them.

The appropriate FS-HDR operating mode should be selected first, because parameter setting changes only affect the current operating mode.

To change the FS-HDR operating mode:

1. Press the *CONFIG* System button:
2. Select *2 FS-HDR Mode*
3. Select either *4K/UHD* or *HD/SD* and press *ADJUST* twice. The FS-HDR will reboot into the other operating mode.

## FS-HDR Processing Examples

---

### General FS-HDR Setup

---

For any FS-HDR operation the following general menu items will need to be set correctly for your workflow. Some default FS-HDR settings may be applicable. The following items assume front panel control. Web browser control may require additional network configuration steps.

Select Single or Four Channel Mode (Reboot Required)

Config Menu: *2 FS-HDR Mode*

- *HD/SD (Four Channel mode)*, or *4K/UHD (Single Channel mode)*.

Select Frame Rate

Video Menu: *1 Output Frame Rate*

- *59/29/23 (default)*, or *50/25*, or *60/30/24*

Select Genlock

Video Menu: *2 Genlock Source*

- *Reference (default)*, or *Freerun*, or *SDI (n)*

Configure Video Input

VID (n), INPUT Menu, *1 Input*

- *SDI (n) (default)*, or *(n/n) Dual Link*, or *Quad Link*

Configure Video Output

Vid (n), FORMAT Menu, *1 Output Format*

- *Follow Input (default)*, or *Follow Ref*, or *(raster/framerate)*
- Various conversion settings in related menus may also apply.

SDR Preview (HDR Output Only)

Vid (n), FORMAT Menu, *2.3/5.3 SDR Preview*

The SDR Preview parameter can be used to quickly preview what an HDR signal may look like on an SDR monitor, without having to switch between HDR and SDR modes on that monitor (which may go black during the change-over). The FS-HDR default setting is *Off*, and this generally should be used during production. When set to *On*, the HDR signal is cleanly transformed to SDR, allowing quick A/B comparison on an HDR display in HDR mode.

**NOTE:** *SDR Preview is only active when using the Colorfront Engine Live and Film modes with PQ BT.2020 1000 Nits or Hybrid Log Gamma BT.2100 video is being output.*



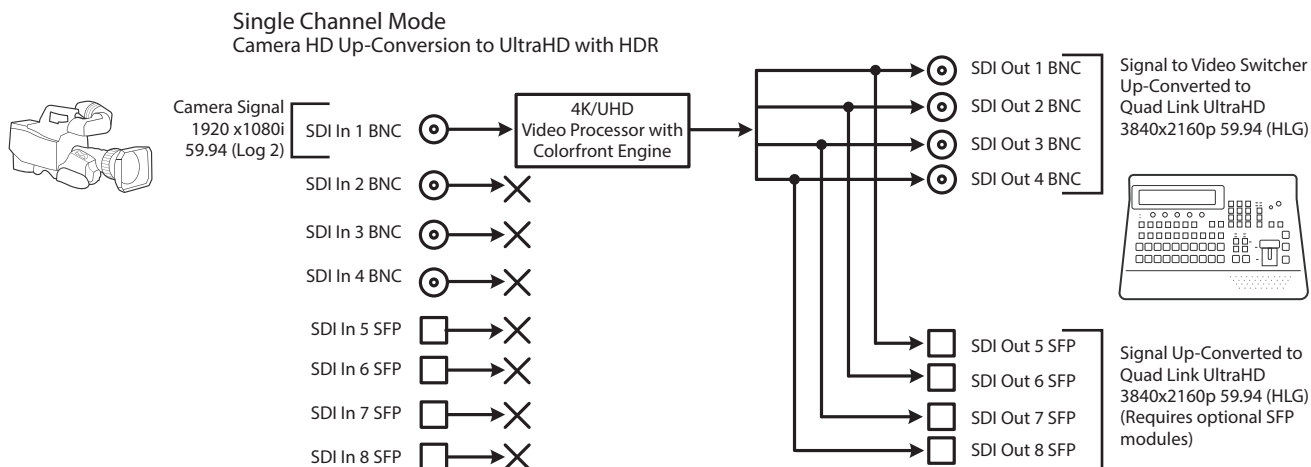
## Additional Settings

Other more specialized settings not discussed in the Quick Start Guide may also apply to your workflow. Refer to the *FS-HDR Installation and Operation Guide* available on the AJA website for more information.

## HD Video Camera to UltraHD HDR Live Production

The following workflow demonstrates feeding an HD video camera signal to an UltraHD HDR capable video switcher through the FS-HDR for a live production. In this example a Canon camera's HD Log 2 output is converted to UltraHD Hybrid Log Gamma.

**Figure 4. Single Channel Mode, HD Up Conversion to UltraHD HDR**



**Table 1. Menu Settings for Single Channel Mode, Up Conversion**

Channel Select Button	Video Button	Menu Name	Setting
VID1	INPUT	1 Input	SDI1
VID1	FORMAT	1 Output Format	UHD2160p5994
VID1	FORMAT	3.0 Link Cfg SDI1-4	Quad Link LvIA
VID1	FORMAT	4.0 Link Cfg SDI5-8	Quad Link LvIA
VID1	FORMAT	5.0 Output Image Mapping	Quadrant or 2SI (as required)
VID1	COLOR	3.0 Transform	Colorfront Engine Live
VID1	COLOR	3.1 Dyn Range&Gamut IN	Canon Log 2 (match to camera)
VID1	COLOR	3.2 Dyn Range&Gamut OUT	Hybrid Log Gamma BT.2100
VID1	COLOR	3.3 SDR Preview	Off (default)

## Setup

- Ensure the FS-HDR is receiving a valid reference signal. Connect a 1080i59.94 HD tri-level sync signal to one of the Ref Loop BNC connectors, and terminate the other Ref Loop BNC connector.
- Configure the camera (for example, SDI 1080i59.94 Canon Log 2)
- Connect the camera's SDI output connector to the SDI1 input on the rear of the FS-HDR. Once connected the FS-HDR front panel VID IN LED will light.
- Connect the four FS-HDR SDI1-4 video output BNC connectors to a UltraHD video production switcher that supports Hybrid Log Gamma.
- View the FS-HDR SDI output signal on a compatible HDR display.

## Procedure

---

### System Configuration

---

1. If the FS-HDR is not already in Single Channel Mode, press the *CONFIG System* button:
  - Select *2 FS-HDR Mode*, select *4K/UHD* and press the *ADJUST* knob. Wait for the FS-HDR to reboot (not longer than 90 seconds).
2. Press the *VIDEO System* button.
  - Select *1 Output Frame Rate*, and adjust to *59/29/23*.
  - Select *2 Genlock Source*, and adjust to *Reference*.

### Video Processor Setup

---

3. Press the *VID1 Channel Select* button.
4. Press the *INPUT Video* button.
  - Select *1 Input*, and adjust to *SDI 1*.
5. Press the *FORMAT Video* button.
  - Select *1 Output Format*, and adjust to *UHD2160p5994*.
  - Select *3.0 Link Cfg SDI1-4* and adjust to *QuadLnk LvIA*.
  - Select *5.0 Output Image Mapping* and select either *Quadrant* (default) or *2SI* as required for your production.
6. Press the *COLOR Video* button.
  - Select *3.0 Transform*, and choose *Colorfront Engine Live*.
  - Select *3.1 Dyn Range&Gamut IN*, and match to the camera, in this example *Canon Log 2*.
  - Select *3.2 Dyn Range&Gamut OUT* and select *Hybrid Log Gamma BT.2100*.
  - Select *3.3 SDR Preview* and ensure it is *Off* (default).

*NOTE: Turning SDR Preview On allows you to quickly A/B preview on a connected HDR monitor how the video may appear on an SDR display.*

7. If you have optional SFP output modules installed, you can select *FORMAT 4.0 Link Cfg SDI5-8* and adjust to *QuadLnk LvIA* for an additional copy of that converted signal.

The video switcher should now be able to accept the up-converted UltraHD HLG camera signal.

## 4K HDR to HD HDR Down and Cross-Conversion

---

The following workflow demonstrates down-converting a Quad Link 4K input to HD, and simultaneously cross-converting the HDR/WCG format, from PQ (HDR-10) to HLG. The 4096x2160 input will be cropped to 3840x2160 and then down converted.

Figure 5. Single Channel Mode, Down and HDR Cross-Conversion

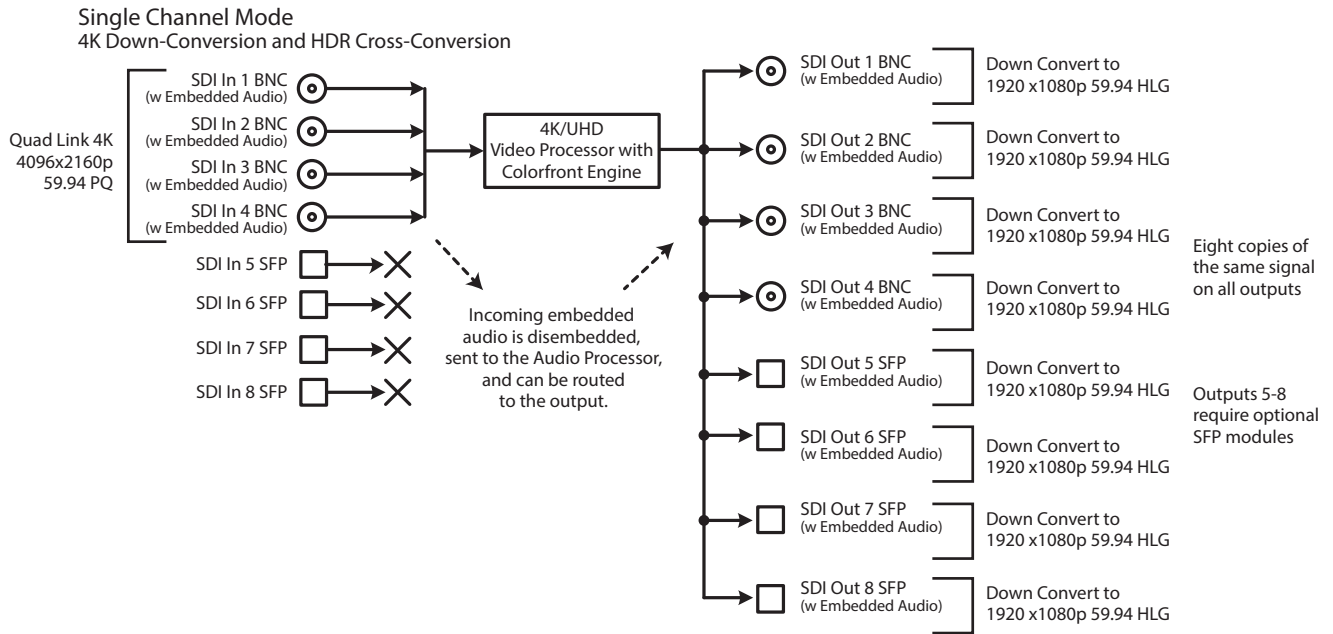


Table 2. Menu Settings for Single Channel Mode, Down and Cross Conversion

Channel Select Button	Video Button	Menu Name	Setting
VID1	INPUT	1 Input	1-4 QuadLink
VID1	FORMAT	1 Output Format	1080p5994
VID1	FORMAT	3.0 Link Cfg SDI1-4	Sngl Link LvIA
VID1	FORMAT	4.0 Link Cfg SDI5-8	Sngl Link LvIA
VID1	COLOR	3.0 Transform	Colorfront Engine Live
VID1	COLOR	3.1 Dyn Range&Gamut IN	PQ BT.2020 1000 Nits
VID1	COLOR	3.2 Dyn Range&Gamut OUT	Hybrid Log Gamma BT.2100
VID1	COLOR	3.3 SDR Preview	Off (default)

## Setup

- Ensure the FS-HDR is receiving a valid reference signal. Connect a 1080p 59.94 HD tri-level sync signal to one of the Ref Loop BNC connectors, and terminate the other Ref Loop BNC connector.
- Connect a Quad Link 4K 59.94 signal to the FS-HDR SDI 1, 2, 3, and 4 video input BNC connectors.
- Connect any one of the FS-HDR SDI BNC output connectors to a compatible HDR video monitor.
- Ensure the FS-HDR Vid (n) FORMAT 3.3 SDR Preview parameter is set to Off (default).

## Procedure

### System Configuration

1. If the FS-HDR is not already in Single Channel Mode, press the CONFIG System button:
  - Select 2 FS-HDR Mode, select 4K/UHD and press the ADJUST knob. Wait for the FS-HDR to reboot (not longer than 90 seconds).

2. Press the *VIDEO* System button
  - Select *1 Output Frame Rate*, and adjust to *59/29/23*.
  - Select *2 Genlock Source*, and adjust to *Reference*.

### Video Processor Setup

3. Press the *VID1* Channel Select button
4. Press the *INPUT* Video button
  - Select *1 Input*, and adjust to *1-4 QuadLnk*.
5. Press the *FORMAT* Video button.
  - Select *1 Output Format*, and adjust to *1080p5994*.
  - Select *3.0 Link Cfg SDI1-4* and adjust to *Sngl Lnk LvIA*
6. Press the *COLOR* Video button.
  - Select *3.0 Transform*, and choose *Colorfront*.
  - Select *3.1 Dyn Range&Gamut IN*, and select *PQ BT.2020 1000Nits*.
  - Select *3.2 Dynamic Range&Gamut OUT*, and select *Hybrid Log Gamma BT.2100*.
  - Select *3.3 SDR Preview* and ensure it is *Off* (default).
7. If you have optional SFP output modules installed, you can select *FORMAT 4.0 Link Cfg SDI5-8* and adjust to *Sngl Lnk LvIA* for an additional copy of that converted signal.

The down-converted HD signal should now be present on the connected HDR video monitor.

## Multiple Legacy Device SDR To HDR Live Conversion

The following workflow demonstrates simultaneously converting multiple legacy device SD and HD signals for an HD HDR production. In this example, signals from two legacy SDR HD cameras, a legacy SD Video Replay system, and a legacy SD Character Generator are up-converted or transformed to HLG for a live HDR production. Four Channel mode operation is required.

Figure 6. Four Channel Mode Example, Four Conversions

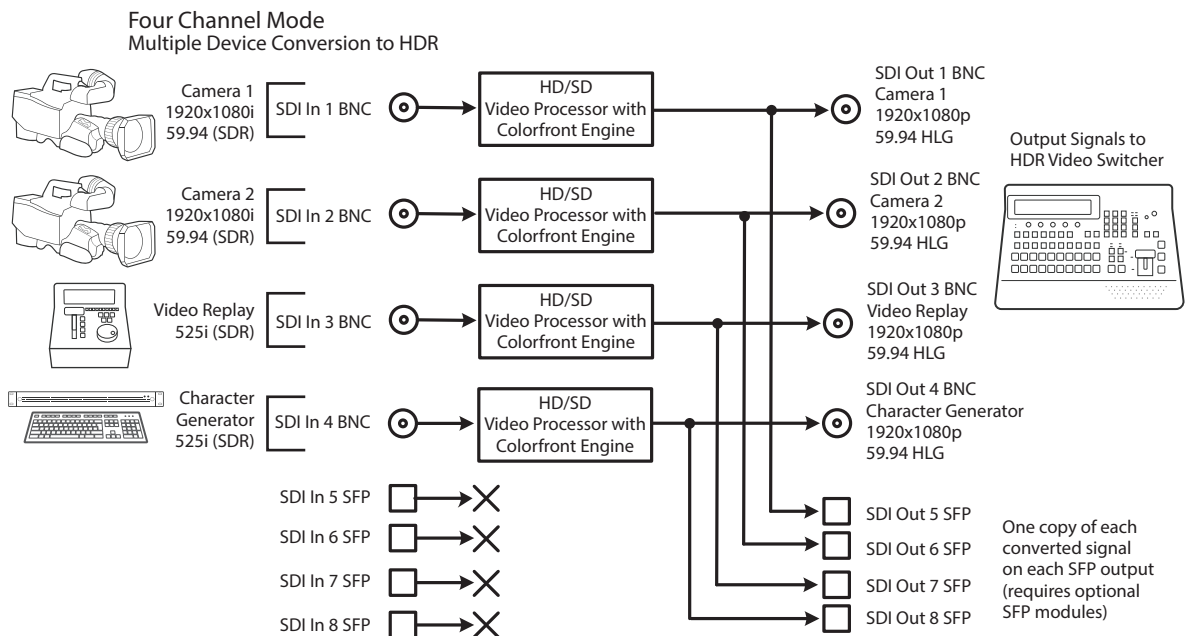


Table 3. Menu Settings for Four Channel Mode Example, Two Conversions

Channel Select Button	Video Button	Menu Name	Setting
VID1	INPUT	1 Input	SDI1
VID1	FORMAT	1 Output Format	1080p5994
VID1	FORMAT	3.0 Link Cfg SDI1	Sngl Link LvlA
VID1	FORMAT	4.0 Link Cfg SDI5	Sngl Link LvlA
VID1	COLOR	3.0 Transform	Colorfront Engine Live
VID1	COLOR	3.1 Dyn Range&Gamut IN	SDR BT.709 100 Nits
VID1	COLOR	3.2 Dyn Range&Gamut OUT	Hybrid Log Gamma BT.2100
VID2	INPUT	1 Input	SDI2
VID2	FORMAT	1 Output Format	1080p5994
VID2	FORMAT	3.0 Link Cfg SDI2	Sngl Link LvlA
VID2	FORMAT	4.0 Link Cfg SDI6	Sngl Link LvlA
VID2	COLOR	3.0 Transform	Colorfront Engine Live
VID2	COLOR	3.1 Dyn Range&Gamut IN	SDR BT.709 100 Nits
VID2	COLOR	3.2 Dyn Range&Gamut OUT	Hybrid Log Gamma BT.2100
VID3	INPUT	1 Input	SDI3
VID3	FORMAT	1 Output Format	1080p5994
VID3	FORMAT	3.0 Link Cfg SDI3	Sngl Link LvlA
VID3	FORMAT	4.0 Link Cfg SDI7	Sngl Link LvlA
VID3	COLOR	3.0 Transform	Colorfront Engine Live
VID3	COLOR	3.1 Dyn Range&Gamut IN	SDR BT.709 100 Nits
VID3	COLOR	3.2 Dyn Range&Gamut OUT	Hybrid Log Gamma BT.2100
VID4	INPUT	1 Input	SDI4
VID4	FORMAT	1 Output Format	1080p5994
VID4	FORMAT	3.0 Link Cfg SDI4	Sngl Link LvlA
VID4	FORMAT	4.0 Link Cfg SDI8	Sngl Link LvlA
VID4	COLOR	3.0 Transform	Colorfront Engine Live
VID4	COLOR	3.1 Dyn Range&Gamut IN	SDR BT.709 100 Nits
VID4	COLOR	3.2 Dyn Range&Gamut OUT	Hybrid Log Gamma BT.2100

## Setup

- Ensure the FS-HDR is receiving a valid reference signal. Connect a 1080i59.94 HD tri-level sync signal to one of the Ref Loop BNC connectors, and terminate the other Ref Loop BNC connector.
- Configure the source devices to the desired settings and connect them to SDI1 through SDI 4 BNC inputs on the rear of the FS-HDR. Once connected the LED below the VID1 button on the FS-HDR front panel will light.
- Connect the FS-HDR SDI1 through SDI4 BNC output connectors to a HDR compatible video switcher.
- Ensure the FS-HDR Vid (n) FORMAT 3.3 SDR Preview parameter is set to Off (default).
- View the FS-HDR SDI output signal on a compatible HDR display.

## Procedure

---

### System Configuration

---

1. If the FS-HDR is not already in Four Channel Mode, press the *CONFIG* System button:
  - Select 2 *FS-HDR Mode*, select *HD/SD* and press the ADJUST knob. Wait for the FS-HDR to reboot (not longer than 90 seconds).
2. Press the *VIDEO* System button.
  - Select 1 *Output Frame Rate*, and adjust to *59/29/23*.
  - Select 2 *Genlock Source*, and adjust to *Reference*.

### Video Processor 1 Setup

---

3. Press the *VID1* Channel Select button
4. Press the *INPUT* Video button
  - Select 1 *Input*, and adjust to *SDI1*.
5. Press the *FORMAT* Video button.
  - Select 1 *Output Format*, and adjust to *1080p5994*.
6. Press the *COLOR* Video button.
  - Select 3.0 *Transform*, and choose *Colorfront Engine Live*.
  - Select 3.1 *Dyn Range&Gamut IN*, and select *SDR BT.709 100 Nits*.
  - Select 3.2 *Dyn Range&Gamut OUT*, and select *Hybrid Log Gamma BT.2100*.
7. If you have optional SFP output modules installed, you can select *FORMAT 3.0 Link Cfg SDI5* and adjust to *Sngl Lnk LvIA* for an additional copy of that converted signal.

### Video Processor 2, 3, and 4 Setup

---

8. Press the *VID2, 3 or 4* Channel Select buttons and repeat the Video Processor 1 setup steps described above.

The video switcher should now be able to accept all the converted to HLG signals.

## Multiple Simultaneous HDR and SDR Distribution

---

The following workflow demonstrates simultaneously distributing HDR and SDR content. In this example, the FS-HDR converts one HDR input to a different HDR format output and also converts it to an SDR output. Simultaneously the FS-HDR also converts two other signals, one from a BNC input, and the other from an SFP module input. Four Channel mode operation is required.

Figure 7. Four Channel Mode Example, Four Conversions of Three Sources

Four Channel Mode  
Simultaneous HDR and SDR Distribution

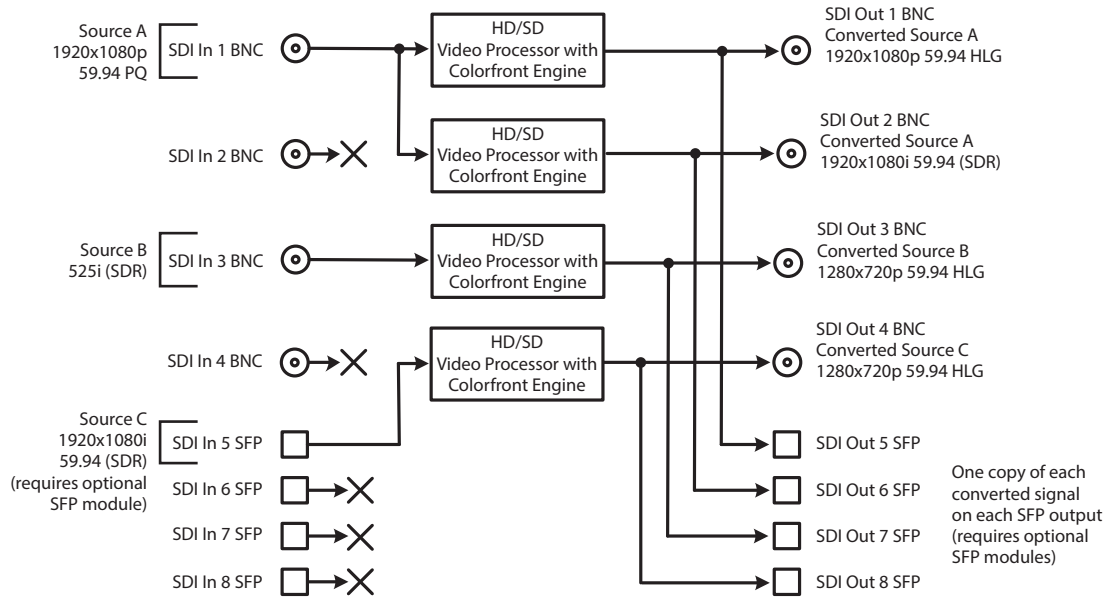


Table 4. Menu Settings for Four Conversions of Three Sources

Channel Select Button	Video Button	Menu Name	Setting
VID1	INPUT	1 Input	SDI1
VID1	FORMAT	1 Output Format	1080p5994
VID1	FORMAT	3.0 Link Cfg SDI1	Sngl Link LvIA
VID1	FORMAT	4.0 Link Cfg SDI5	Sngl Link LvIA
VID1	COLOR	3.0 Transform	Colorfront Engine Live
VID1	COLOR	3.1 Dyn Range&Gamut IN	PQ BT.2020 1000 Nits
VID1	COLOR	3.2 Dyn Range&Gamut OUT	Hybrid Log Gamma BT.2100
VID2	INPUT	1 Input	SDI1
VID2	FORMAT	1 Output Format	1080i5994
VID2	FORMAT	3.0 Link Cfg SDI2	Sngl Link LvIA
VID2	FORMAT	4.0 Link Cfg SDI6	Sngl Link LvIA
VID2	COLOR	3.0 Transform	Colorfront Engine Live
VID2	COLOR	3.1 Dyn Range&Gamut IN	PQ BT.2020 1000 Nits
VID2	COLOR	3.2 Dyn Range&Gamut OUT	SDR BT.709 100 Nits
VID3	INPUT	1 Input	SDI3
VID3	FORMAT	1 Output Format	720p5994
VID3	FORMAT	3.0 Link Cfg SDI3	Sngl Link LvIA
VID3	FORMAT	4.0 Link Cfg SDI7	Sngl Link LvIA
VID3	COLOR	3.0 Transform	Colorfront Engine Live
VID3	COLOR	3.1 Dyn Range&Gamut IN	SDR BT.709 100 Nits
VID3	COLOR	3.2 Dyn Range&Gamut OUT	Hybrid Log Gamma BT.2100

Channel Select Button	Video Button	Menu Name	Setting
VID4	INPUT	1 Input	SDI5
VID4	FORMAT	1 Output Format	720p5994
VID4	FORMAT	3.0 Link Cfg SDI4	Sngl Link LvIA
VID4	FORMAT	4.0 Link Cfg SDI8	Sngl Link LvIA
VID4	COLOR	3.0 Transform	Colorfront Engine Live
VID4	COLOR	3.1 Dyn Range&Gamut IN	SDR BT.709 100 Nits
VID4	COLOR	3.2 Dyn Range&Gamut OUT	Hybrid Log Gamma BT.2100

## Setup

- Ensure the FS-HDR is receiving a valid reference signal. Connect a 1080i59.94 HD tri-level sync signal to one of the Ref Loop BNC connectors, and terminate the other Ref Loop BNC connector.
- Connect sources A and B to the FS-HDR SDI 1 and SDI 3 Input BNCs.
- Install an optional SFP module into the FS-HDR SDI 5 Input cage and connect the source cable.
- Connect the FS-HDR SDI outputs to the downstream devices.
- Ensure the FS-HDR Vid (n) *FORMAT 3.3 SDR Preview* parameter is set to *Off* (default).
- View the FS-HDR SDI output signals on a compatible HDR or SDR display.

## Procedure

### System Configuration

1. If the FS-HDR is not already in Four Channel Mode, press the *CONFIG* System button:
  - Select *2 FS-HDR Mode*, select *HD/SD* and press the *ADJUST* knob. Wait for the FS-HDR to reboot (not longer than 90 seconds).
2. Press the *VIDEO* System button
  - Select *1 Output Frame Rate*, and adjust to *59/29/23*.
  - Select *2 Genlock Source*, and adjust to *Reference*.

### Video Processor 1 Setup

3. Press the *VID1* Channel Select button.
4. Press the *INPUT* Video button.
  - Select *1 Input*, and adjust to *SDI1*.
5. Press the *FORMAT* Video button.
  - Select *1 Output Format*, and adjust to *1080p5994*.
6. Press the *COLOR* Video button.
  - Select *3.0 Transform*, and choose *Colorfront Engine Live*.
  - Select *3.1 Dyn Range&Gamut IN*, and select *PQ BT.2020 1000 Nits*.
  - Select *3.2 Dyn Range&Gamut OUT*, and select *Hybrid Log Gamma BT.2100*.
7. If you have optional SFP output modules installed, you can select *FORMAT 3.0 Link Cfg SDI5* and adjust to *Sngl Lnk LvIA* for an additional copy of that converted signal.

### Video Processor 2 Setup

8. Press the *VID2* Channel Select button.



9. Press the *INPUT* Video button.
  - Select *1 Input*, and adjust to *SDI1* (same input as Video Processor 1).
10. Press the *FORMAT* Video button.
  - Select *1 Output Format*, and adjust to *1080p5994*
11. Press the *COLOR* Video button.
  - Select *3.0 Transform*, and choose *Colorfront Engine Live*.
  - Select *3.1 Dyn Range&Gamut IN*, and select *PQ BT.2020 1000 Nits*.
  - Select *3.2 Dyn Range&Gamut OUT*, and select *SDR BT.709 100 Nits*.
12. If you have optional SFP output modules installed, you can select *FORMAT 4.0 Link Cfg SDI6* and adjust to *Sngl Lnk LvIA* for an additional copy of that converted signal.

#### Video Processor 3 Setup

---

13. Press the *VID3* Channel Select button.
14. Press the *INPUT* Video button.
  - Select *1 Input*, and adjust to *SDI3*.
15. Press the *FORMAT* Video button.
  - Select *1 Output Format*, and adjust to *720p5994*.
16. Press the *COLOR* Video button.
  - Select *3.0 Transform*, and choose *Colorfront Engine Live*.
  - Select *3.1 Dyn Range&Gamut IN*, and select *SDR BT.709 100 Nits*.
  - Select *3.2 Dyn Range&Gamut OUT*, and select *Hybrid Log Gamma BT.2100*
17. If you have optional SFP output modules installed, you can select *FORMAT 4.0 Link Cfg SDI7* and adjust to *Sngl Lnk LvIA* for an additional copy of that converted signal.

#### Video Processor 4 Setup

---

18. Press the *VID4* Channel Select button.
19. Press the *INPUT* Video button.
  - Select *1 Input*, and adjust to *SDI5*.
20. Press the *FORMAT* Video button.
  - Select *1 Output Format*, and adjust to *720p5994*.
21. Press the *COLOR* Video button.
  - Select *3.0 Transform*, and choose *Colorfront Engine Live*.
  - Select *3.1 Dyn Range&Gamut IN*, and select *SDR BT.709 100 Nits*.
  - Select *3.2 Dyn Range&Gamut OUT*, and select *Hybrid Log Gamma BT.2100*
22. If you have optional SFP output modules installed, you can select *FORMAT 4.0 Link Cfg SDI8* and adjust to *Sngl Lnk LvIA* for an additional copy of that converted signal.